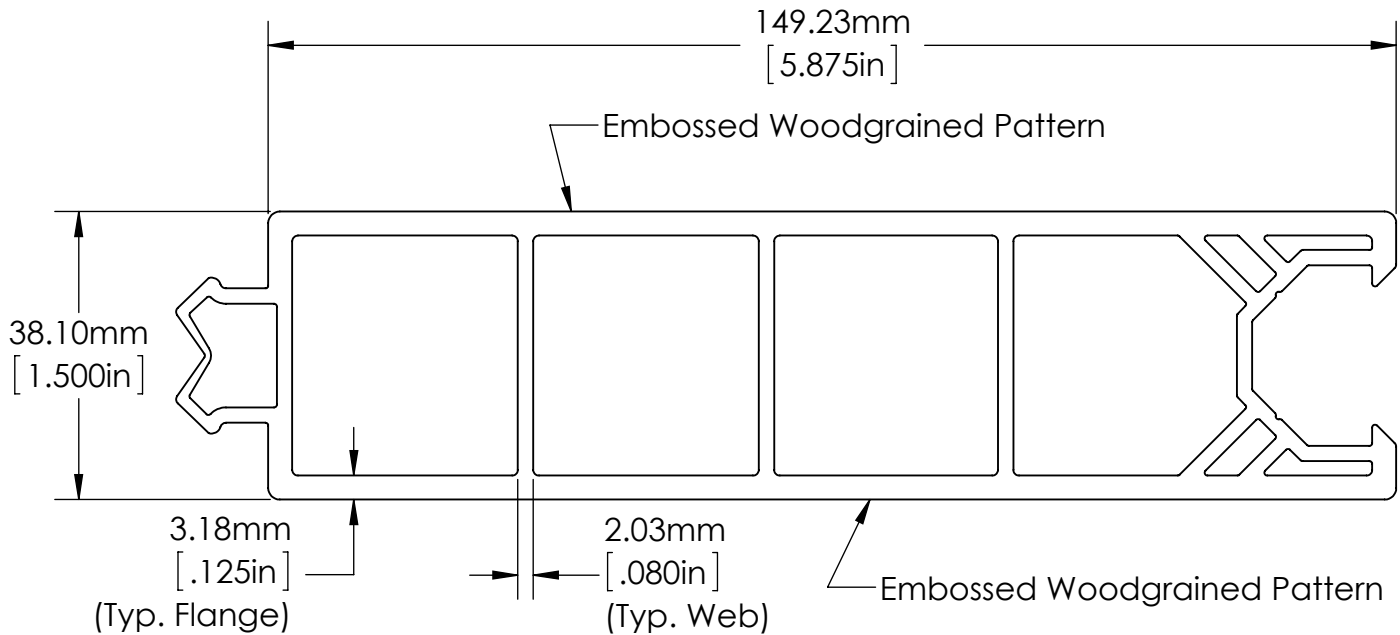
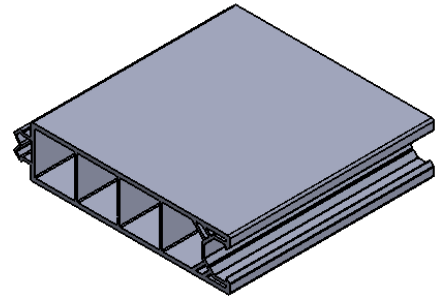


Deck Board Span Rating
Maximum Span: 610 mm (24")¹
Allowable Capacity: 4.8 kPa (100 psf)
Stair Tread Span (Max)^{1, 2} : 304 mm (12")
1. Span = Centre to centre support
2. Min 2-Span Condition (Centre Stringer Required)



- The PVC deckboard shown in this drawing is approved for use on residential & commercial projects in Ontario, Alberta, & British Columbia, Canada. Such approval is subject to limitations as noted herein and as noted in Westech "Deck Lok System Installation Instructions" (March 8, 2013)
- All fasteners to be stainless steel, No. 8 x 2" long (min) "Grip-Rite" Prime Guard Plus.
- Deck board can be installed with either flat surface up.
- Product tested and evaluated per AC 174 (ICC-Evaluation Service) requirements. Product tested by Architectural Testing Inc. (ATI) per report C0010.01-119-19 dated 8/23/2013
- Maximum overhang from supporting structure: 63.5 mm (2-1/2")
- Deck supporting structure to meet Ontario Building Code, Alberta Building Code, & British Columbia Code (current in-force versions) requirements



NAME		DATE			
DRAWN BY B. Buentje		5/1/2012			
PROPRIETARY AND CONFIDENTIAL THE INFORMATION CONTAINED IN THIS DRAWING IS THE SOLE PROPERTY OF WESTECH BUILDING PRODUCTS. ANY REPRODUCTION IN PART OR AS A WHOLE WITHOUT THE WRITTEN PERMISSION OF WESTECH BUILDING PRODUCTS IS PROHIBITED.				Deck Lok Part # 97972	
				SIZE A	DWG. NO. Deck Lok
SCALE: N/A		WEIGHT:			