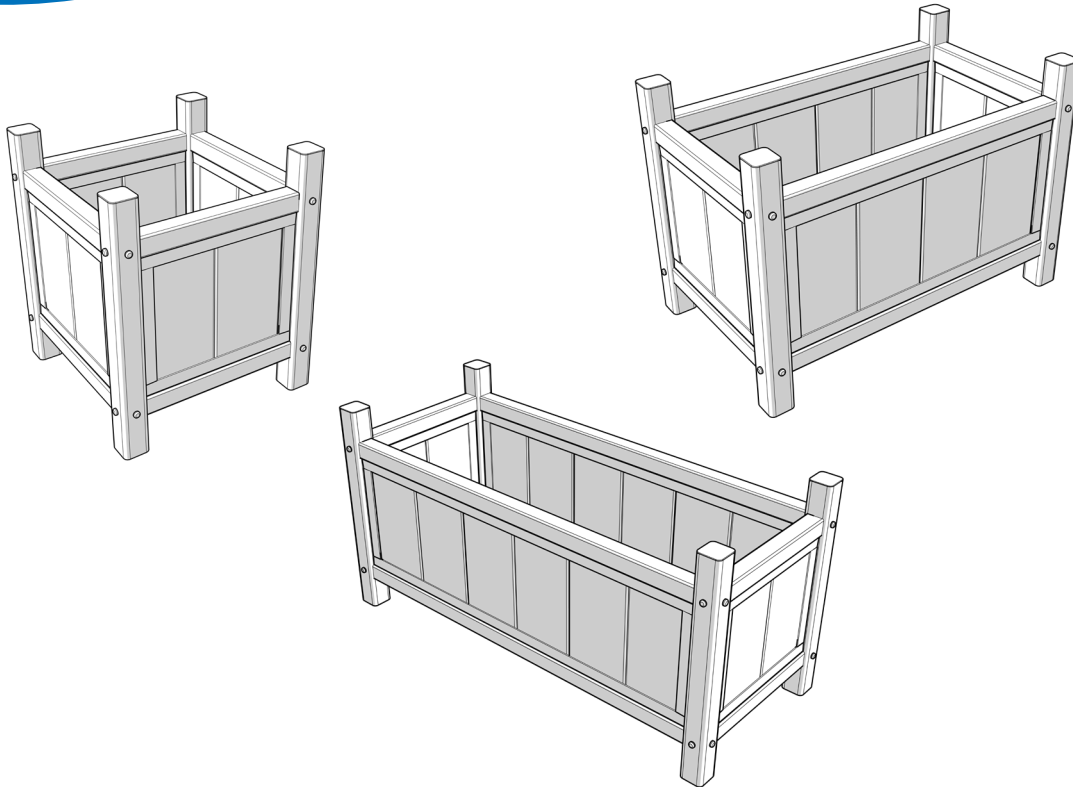




Planter Box

14" x 14", 14" x 24", 14" x 34"



What's Included 14" x 14"

- (4) 1-3/4"sq. x 17" Posts
- (1) Floor Section (*pre-assembled*)
- (4) 9" Wall Panels
- (6) 13¹³/₁₆" Side Rails w/ channels
- (16) Screws, Washers, and Caps

Addtl. Components 14" x 24"

- (6) 9" Wall Panels
- (4) 13¹³/₁₆" Side Rails w/ channels
- (2) 23⁷/₈" Side Rails w/ channels

Addtl. Components 14" x 34"

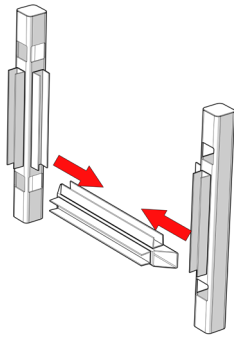
- (8) 9" Wall Panels
- (4) 13¹³/₁₆" Side Rails w/ channels
- (2) 33⁷/₈" Side Rails w/ channels

- *These directions are only a guide and may not address every situation.*
- *Always wear proper safety equipment while assembling and installing.*
- *The installer should obtain all required building permits and follow all installation procedures in accordance with applicable building code requirements.*
- *Superior Plastic Products, Inc. shall not be held liable for improper or unsafe installations.*
- *Applying paint, will void your warranty.*
- *To ensure proper coverage by our warranty please visit our website and complete the warranty form and mail to: Superior Plastic Products, Inc., 260 Jalyn Drive, New Holland, PA 17557*



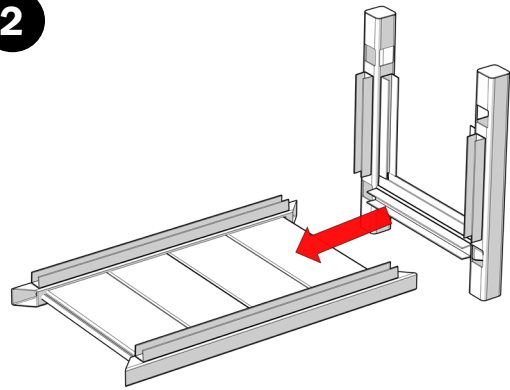
WARNING: This product can expose you to chemicals including Quartz (crystalline silica), which is known to the State of California to cause cancer, and Hexavalent Chromium, which is known to the State of California to cause birth defects or other reproductive harm. For more information go to www.P65Warnings.ca.gov.

1



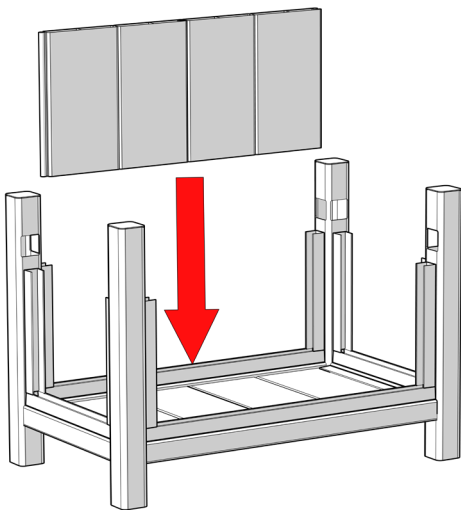
Place Posts onto the short side Rails which contain (2) Side Channels.

2



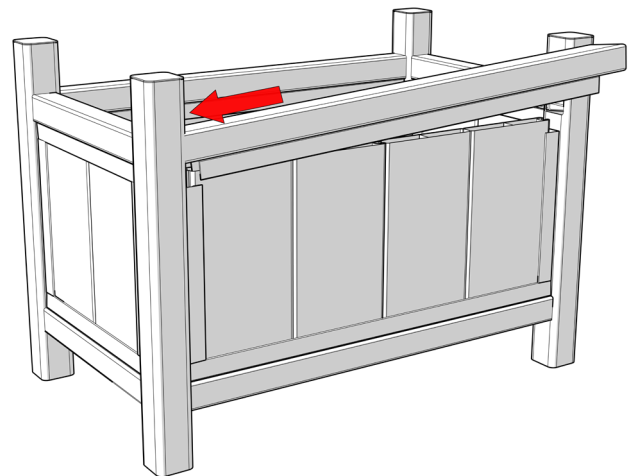
Continue by placing this group onto the Floor Section.

3



Then Place the Panels into the open Channels.

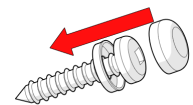
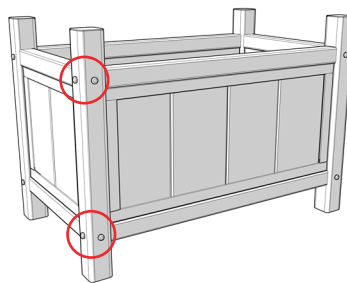
4



Now, place the Rails with (1) Channel onto the Panels, and into the routed Post holes.

5

Ensure a tight fit, and secure using provided Screws at each corner position (see example: circled)



Note: Attach washer before fastening screw, then attach cap.

