

# OUTLOOK ALUMINUM RAILING SERIES

THE PERFECT COST EFFECTIVE SOLUTION  
WITHOUT GIVING UP STYLE OR PERFORMANCE



Available in 36" & 42" Height Options for  
Level & Stair Applications in 6' & 8' Lengths

Satin Black  
(KL101)

Gloss White  
(KL102)

Ninety Bronze  
(KL131)

Textured Black  
(KL106)

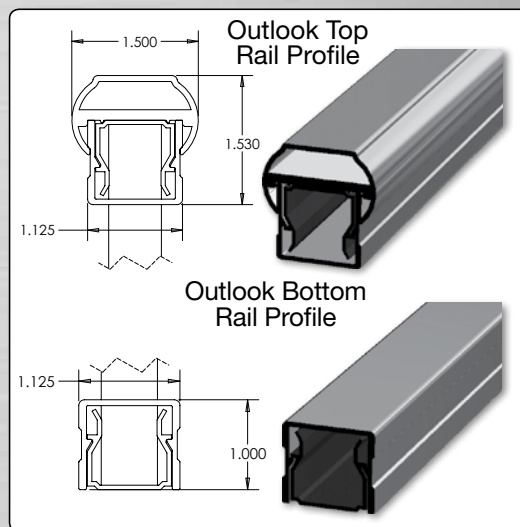
Textured Bronze  
(KL107)

Textured White  
(KL123)

*Color Representations May Vary From Actual Product Color*

## RAILING FEATURES

- 1½" Flat-Top & Rounded Rail
- Square Balusters
- Self-Centering Mounting Brackets
- 6 Color Options
- Rattle-Free Vinyl Lined System
- Easy to Install
- Boxed Railing Kits
- Limited Lifetime Warranty
- AAMA 2604 Rated Powder Coating
- Performance Engineered & Tested to ICC Standards
- Universal Step Bracket Available
- Manufactured in USA

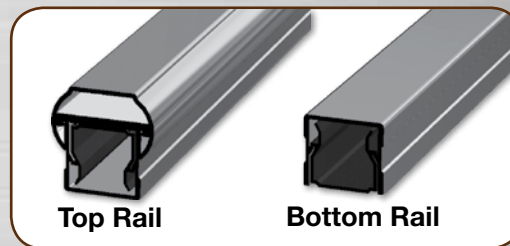


# OUTLOOK ALUMINUM RAILING SERIES



## *Outlook Infill & Color Options*

**3/4" Square  
Aluminum Balusters**



### STOCK COLORS

**Satin Black**  
(KL101)

**Gloss White**  
(KL102)

**Ninety Bronze**  
(KL131)

**Textured Black**  
(KL106)

**Textured White**  
(KL123)

**Textured Bronze**  
(KL107)

[marketing@polyvinylc.com](mailto:marketing@polyvinylc.com)