

**LOCINOX**

Let's make better fences together



**P**oly  
**V**inyl  
**C**reations

[www.Justpolyit.com](http://www.Justpolyit.com)

[Marketing@polyvinylc.com](mailto:Marketing@polyvinylc.com)

**GATE CLOSERS**

**Built to last!**

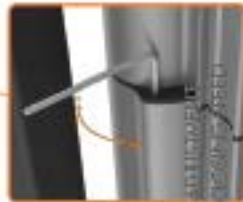
# MAMMOTH-180

Hydraulic 180° gate closer and hinge in one

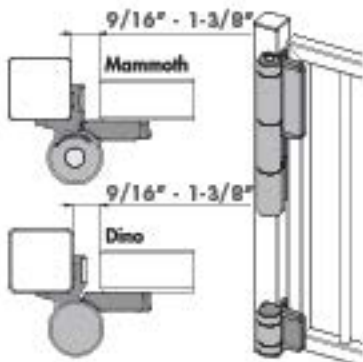


3 YEAR WARRANTY

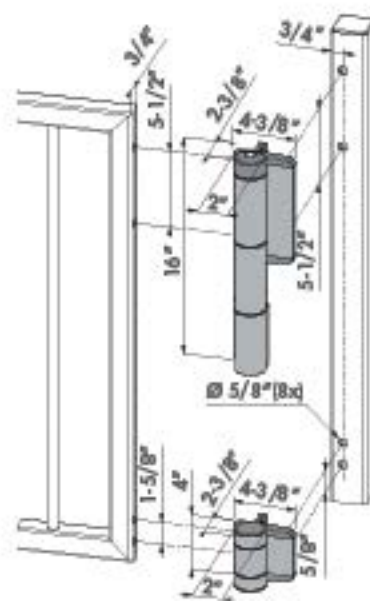
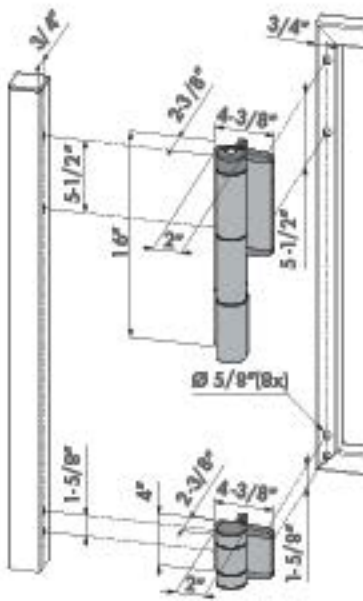
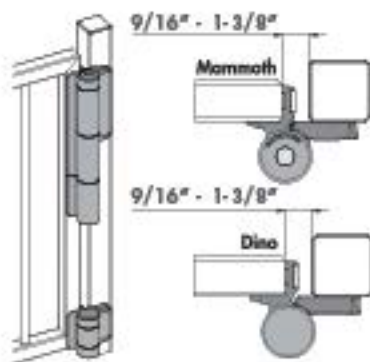
ADA COMPLIANT



## LEFT TURNING



## RIGHT TURNING



## MAMMOTH-180

Hydraulic swing gate closer and bearing hinge in one. An elegantly designed self-closing hinge that opens smoothly and closes consistently, regardless of outside temperatures (patented system). Closing force, speed and final snap can easily be adjusted according to your needs. The Mammoth closes gates weighing up to 330lbs. and 5ft. wide.

## SPECIFICATIONS

- ✓ Opening angle up to 180°
- ✓ Double stainless steel bearing
- ✓ For gates up to 330 lbs
- ✓ For gates up to 5 feet wide
- ✓ Adjustable closing speed & closing pressure
- ✓ 2-dimensionally adjustable, Gap & Ht x 3/4"
- ✓ Easy to open: Max. 15Nm of force
- ✓ Available in black or silver
- ✓ Dino hinge included
- ✓ Tested at 500.000 movements
- ✓ Tested from -22°F to 160°F

# SAMSON-2

Adjustable, horizontal gate closer



ADJUSTMENT:  
CLOSING FORCE



ADJUSTMENT:  
FINAL SNAP



ADJUSTMENT:  
CLOSING SPEED

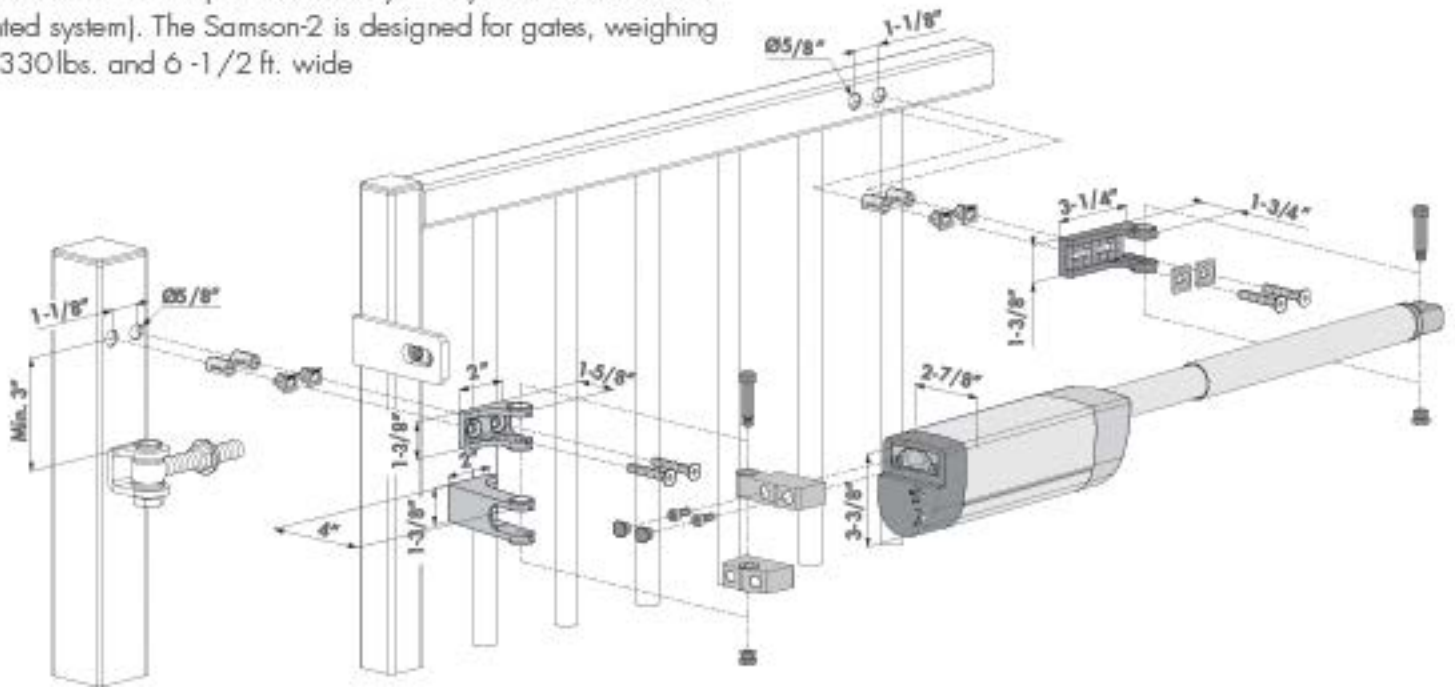


## SAMSON-2

An easy to install gate closer with a smooth functioning. The closing pressure, final snap and closing speed can easily be adjusted after installation, thanks to the corresponding adjustment screws. The Samson-2 is delivered with various brackets so it can be used in every situation. It will operate smoothly in any weather conditions (patented system). The Samson-2 is designed for gates, weighing up to 330lbs. and 6 -1/2 ft. wide

## SPECIFICATIONS

- ✓ Opening angle up to 150°
- ✓ Adjustable closing speed & closing pressure
- ✓ Adjustable final snap for a perfect closing
- ✓ Developed for outdoor use
- ✓ Closing speed unaffected by temperature changes
- ✓ Fast and easy fixing: Quick-Fix
- ✓ For left & right turning gates
- ✓ Tested at 500.000 movements
- ✓ Tested from -22°F to 160°F



# VERTICLOSE

Adjustable, vertical gate closer



## SPECIFICATIONS

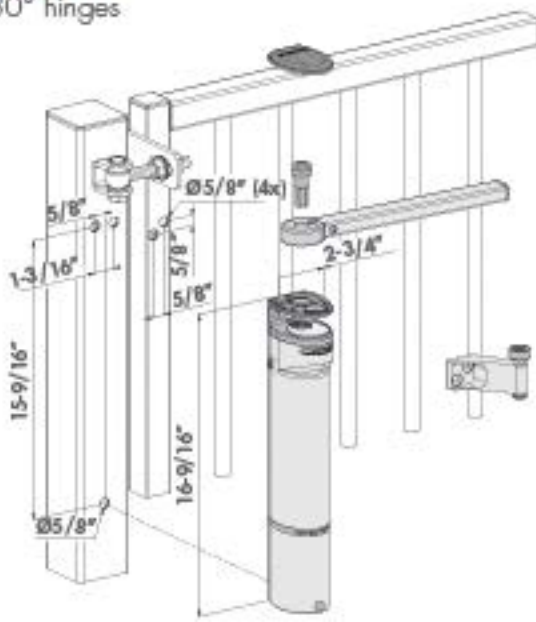
- ✓ Max. opening angle 180°
- ✓ Adjustable closing speed & closing pressure
- ✓ Specially developed for outdoor use
- ✓ Closing speed unaffected by humidity and temperature changes
- ✓ Easy to install: Quick-Fix
- ✓ For left and right turning gates
- ✓ Easy to open
- ✓ Tested at 500.000 movements
- ✓ Tested from -22°F to 160°F

## VERTICLOSE

The Verticlose is an industrial gate closer with adjustable closing speed, force and final snap even after installation. Developed for outdoor use with rustproof materials. It is ideal in combination with 180° hinges. The installation is easy and robust thanks to the drilling templates and the patented Quick-Fix. The Verticlose gate closer operates smoothly in any weather conditions.

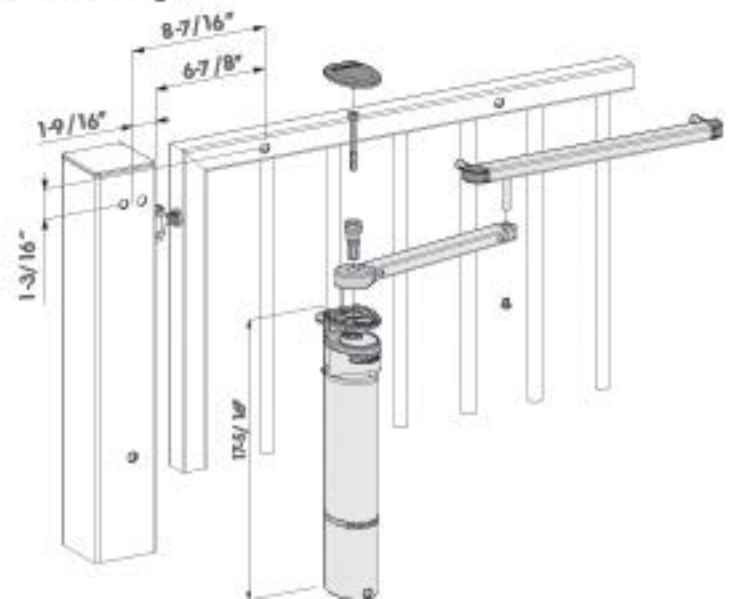
## VERTICLOSE-STD

With 180° hinges



## VERTICLOSE-RAIL

With 90° hinges



# TIGER

Compact hinge and gate closer in one



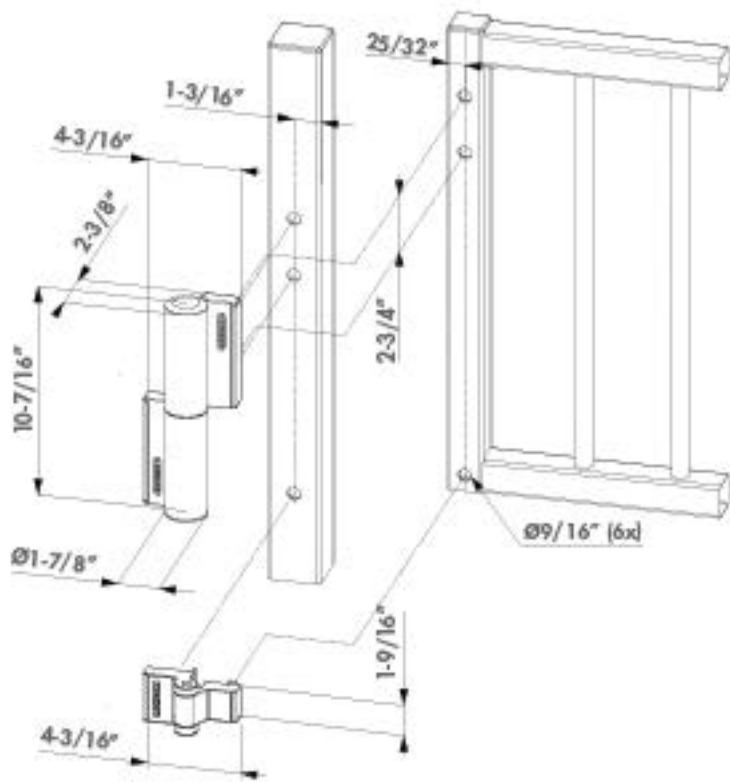
3 YEAR  
WARRANTY

ADA  
COMPLIANT



## TIGER

Hydraulic, self closing, double bearing, compact hinge with an 180° opening angle. The Tiger operates perfectly for gates up to 165 lbs. and 3 1/2 ft. wide. Fast and easy installation thanks to the patented Quick-Fix. Closing speed and final snap can easily be adjusted after installation. The Tiger comes with a PUMA hinge (non-self closing) included and is conform with RaSPa regulations.



## SPECIFICATIONS

- ✓ Automatic 180° closure with adjustable closing speed and final snap
- ✓ Hydraulic damping
- ✓ 180° opening and closing angle
- ✓ Powdercoated aluminium casing
- ✓ Aesthetic design
- ✓ Fast and easy fixing: Quick-Fix
- ✓ Closing speed unaffected by humidity and temperature changes
- ✓ For gates up to 165lbs (max 3-1/2' wide)
- ✓ For left and right turning gates
- ✓ 3/4" vertical adjustability
- ✓ 5/8" horizontal adjustability
- ✓ Aluminium powdercoated
- ✓ PUMA hinge included
- ✓ Tested at 500.000 movements
- ✓ Tested from -22°F to 160°F

# GATE CLOSERS

Our gate closers complement our assortment of high quality fence and gate hardware. Their operations remains unaffected regardless of changing temperatures thanks to the patented, weather independent, hydraulic damping. Closing speed, pressure and final snap are all individually adjustable thanks to the corresponding adjustment screws.



Timesaving



Left/Right reversible



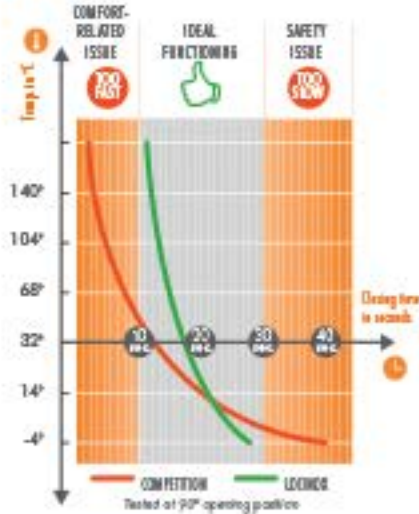
500.000 movements



Weatherproof

## TEMPERATURE COMPENSATION

Stable closing time independent of the temperature

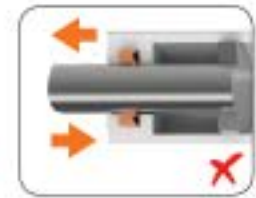


## DURABLE

When converting the rotational movement into a linear movement, Locinox always uses a rotary seal. The intrusion of dirt and humidity and loss of oil are impossible.



ROTARY SEAL



LINEAR SEAL

## APPLICATION BY GATE WIDTH AND WEIGHT



VERTICLOSE-RAIL/MAMMOTH-180  
SAMSON

VERTICLOSE-STD

TIGER

## PRODUCT CHOICE:

		HINGE		OPENING ANGLE	ADJUSTABILITY			PERFORMANCE	
		90°	180°		Speed	Force	Final Snap	Gate Weight (lbs)	Gate Width (Feet)
NEW	TIGER	INCLUDING PUMA HINGE		180°	✓		✓	165	3-1/2
	MAMMOTH-180	INCLUDING DINO HINGE		180°	✓	✓	✓	330	5
RETROFIT	VERTICLOSE-STD		✓	180°	✓	✓	✓	265	4
	VERTICLOSE-RAIL	✓		180°	✓	✓	✓	330	5
	SAMSON-2	✓	✓	150°	✓	✓	✓	330	6-1/2



[www.Justpolyit.com](http://www.Justpolyit.com)  
[Marketing@polyvinyle.com](mailto:Marketing@polyvinyle.com)