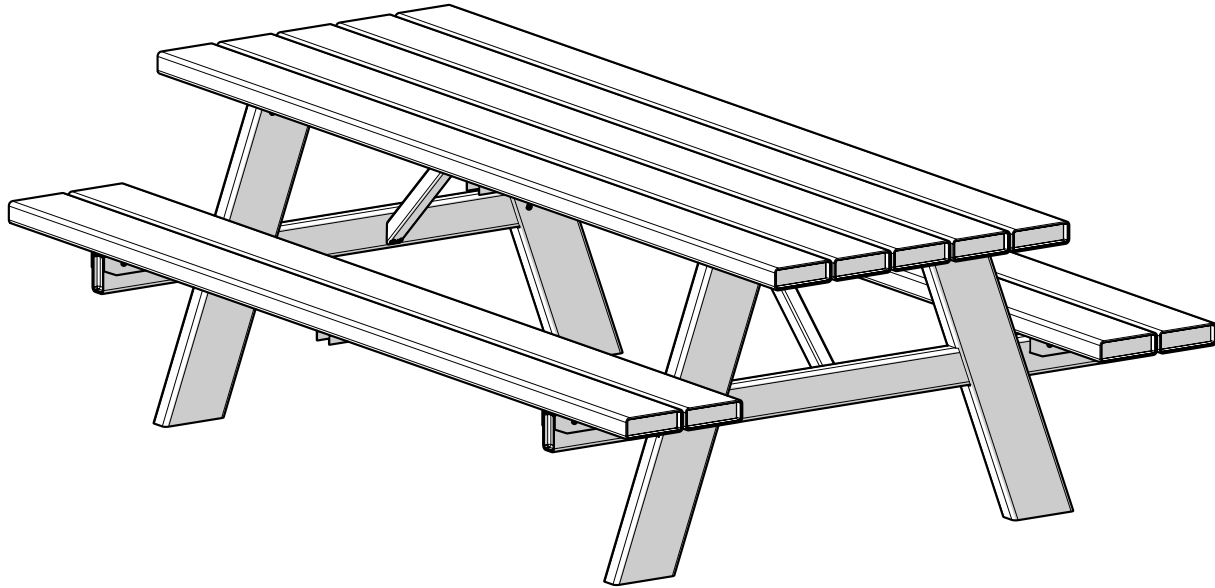




Picnic Table

SuperiorPlasticProducts.com



Recommended Tools

- Safety Glasses
- Tape Measure & Pencil
- 90° Right Angle Square
- Power Drill w/(1/16" bit)

What's Included

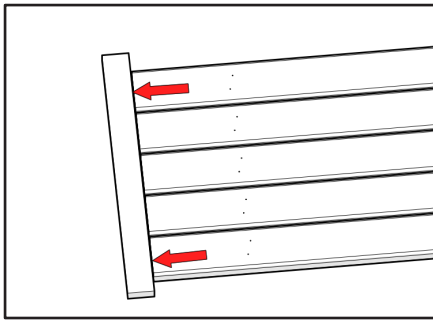
- (5) Table beams
- (2) Pre-Assembled Seats
- (4) Legs
- (2) Stabilizer Beams
- (3) U-Channel
- (2) Support Beams
- (78) Pan Head Self-Drilling Screws

- *These directions are only a guide and may not address every situation.*
- *Always wear proper safety equipment while assembling and installing.*
- *The installer should obtain all required building permits and follow all installation procedures in accordance with applicable building code requirements.*
- *Superior Plastic Products, Inc. shall not be held liable for improper or unsafe installations.*
- *Applying paint, other than Superior's touch up paint, will void your warranty.*
- *To ensure proper coverage by our warranty please visit our website and complete the warranty form and mail to: Superior Plastic Products, Inc., 260 Jalyn Drive, New Holland, PA 17557*

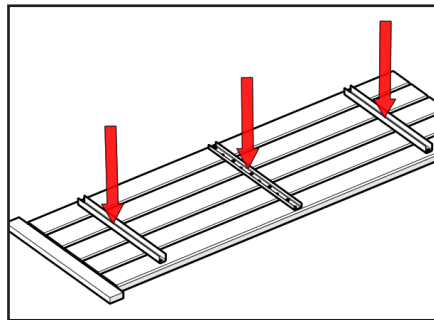


WARNING: This product can expose you to chemicals including Quartz (crystalline silica), which is known to the State of California to cause cancer, and Hexavalent Chromium, which is known to the State of California to cause birth defects or other reproductive harm. For more information go to www.P65Warnings.ca.gov.

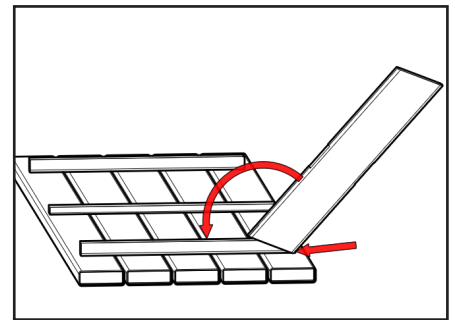
Picnic Table Assembly



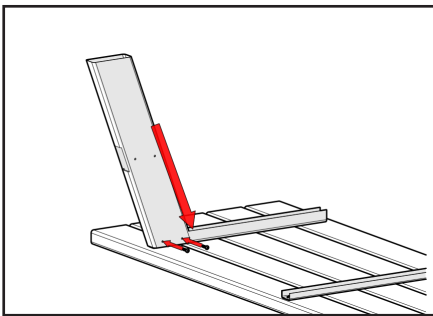
Align Table beams using a flat board as a guide. Ensure that all pre-drilled holes are facing upward.



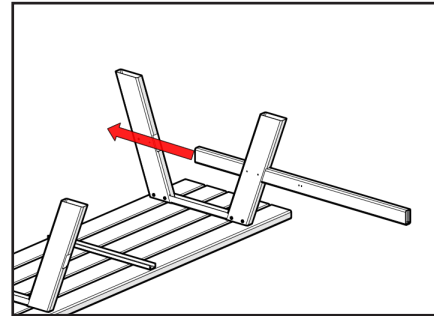
Align each U-Channel with the pre-drilled holes, then using the provided screws; secure the U-Channels.



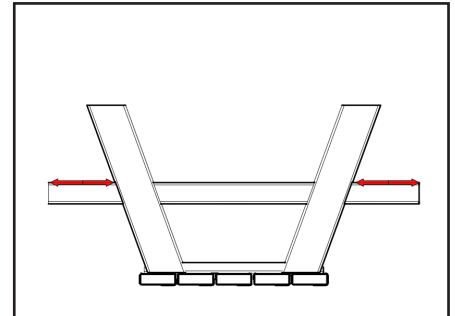
Ensuring the pre-drilled holes are facing inward; place the outer edge of the leg against the U-Channel, and pivot it until the leg surface lies flat against the table face.



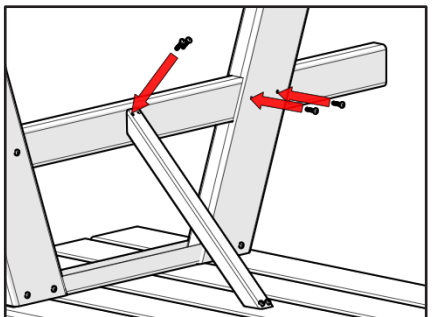
Keeping downward pressure on the leg (ensure the top surface is flush with table face). Use a power drill, and provided screws; utilizing the pre-drilled leg holes. Secure to U-Channel.



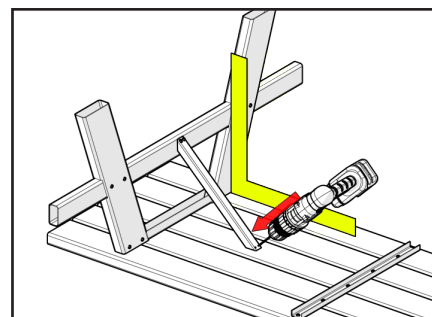
Slide the Stabilizer Beam through the routed leg holes. Keeping the pre-drilled holes on the Stabilizer facing inward, and upward.



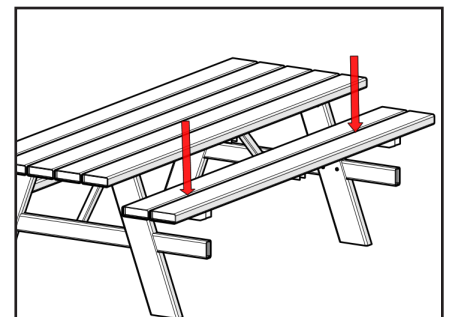
Before securing the Stabilizer Beam; ensure the length on either side is equal.



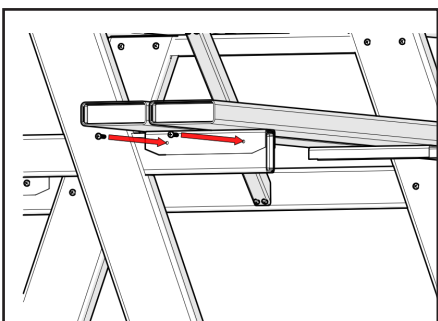
Using the pre-drilled slot holes on the Stabilizer Beam. Attach provided screws to legs. Then attach the top screws to the Support beam.



Use a 90° Right Angle Square to level the Leg assembly. Then while holding this position; Pre-Drill each lower hole of the Support Beam (1/8" Drill bit) into the table beam (bottom face only).



Once both sets of legs have been installed; take the Seat Beams (pre-assembled) and place them onto the Stabilizer Beams.



Ensuring the edge of the Seat Beam is flush with the Stabilizer Beams. Attach the Seat with provided screws, on both inside and outside faces.

WARNING: Do Not Overtighten Screws!